



SW485GI

Wall Mounting

Industrial RS-232/485/422 Converter and RS-485/422 Repeater (2IN1)

- Support bidirectional data conversion between 1 RS-232 serial port and 1 RS-485/422 serial port
- Support RS-485/422 repeater function, combine repeater function with bidirectional data conversion
- One RS-485/422 port adopts independent external power supply, another one adopts DC/DC isolation transform to provide power supply and provide signal 3kV photoelectric isolation
- Adopt pre-emphasis technology, communication distance is up to 3000m (9600bps)
- Serial port provides 1500W surge protection and 15kV electrostatic protection
- Support 12~36VDC wide voltage input



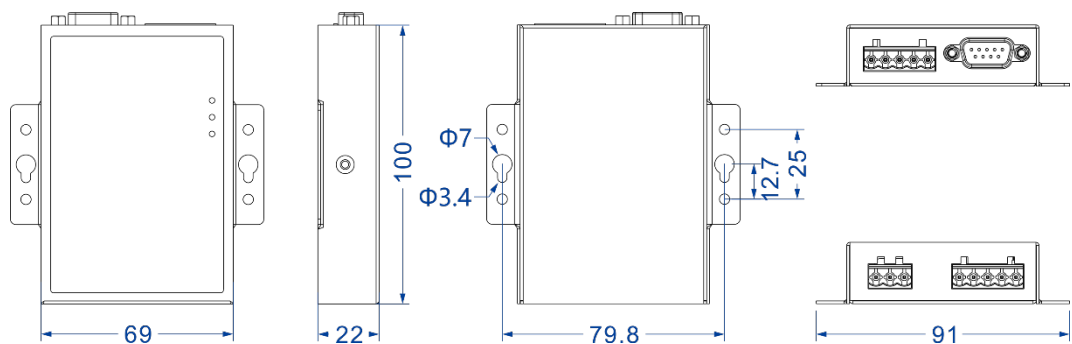
Introduction

SW485GI is an industrial-grade interface converter device integrated bidirectional conversion between RS-232 and RS-485/422 and RS-485/422 repeater, which can implement bidirectional data conversion between serial port RS-232 and RS-485/422, or be a repeater of RS-485 and RS-422 transmission. It provides 1 RS-232 serial port and 2 RS-485/422 serial ports. RS-485/422 supports serial port self-adaption technology that can identify RS-485/422 serial port automatically without the need of setting the switch. Serial ports are equipped with 1500W surge protection, 15kV electrostatic protection and 3kV photoelectric isolation protection, which can effectively prevent device from being damaged. The device also adopts wall mounting, which can meet the requirements of different scenes.

Hardware adopts fanless, low power consumption, wide temperature and voltage design and has passed rigorous industrial standard tests, which can suit for the industrial scene environment with harsh requirements for EMC and be widely used in electric power system, industrial automation control, IC card charging system and measuring instrument, etc.

Dimension

Unit:mm



Specification

Serial Port	<p>Standard: EIA RS-232C, RS-485, RS-422</p> <p>Serial port quantity: 1 RS-232 serial port, 2 RS-485/422 serial port</p> <p>Conversion mode: RS-232 and RS-485/422 data conversion, RS-485/422 repeater (two modes cannot operate simultaneously)</p> <p>RS-232 signal: TXD, RXD, GND</p> <p>RS-485 signal: D+, D-, GND</p> <p>RS-422 signal: T+, T-, R+, R-, GND</p> <p>Baud rate: 300bps ~115200bps</p>
-------------	---

	<p>Interface type: RS-232 serial port, adopts DB9, Female; RS-485/422 serial port, adopt 5-pin 5.08mm pitch terminal blocks</p> <p>Transmission distance: RS-232 serial port, 15m; RS-485/422 serial port, 3000m (9600nps)</p> <p>Direction control: RS-485 adopts automatic data flow control technology which can detect and control data transmission direction automatically</p> <p>Load capacity: RS-485 supports 32-point polling environment (128-point could be customized)</p> <p>Interface protection: 1500W surge protection, 15kV electrostatic protection</p> <p>Photoelectric isolation: 3000V</p>
LED Indicator	Power supply indicator, serial port data sending/receiving indicator
Power Requirement	12~36VDC, 3-pin 5.08mm pitch terminal blocks
Power Consumption	Static power consumption: ≤150mA Dynamic power consumption: ≤350mA
Environmental Limit	Operating temperature: -10~75℃ Storage temperature: -40~75℃ Relative humidity: 5% ~ 95%(no condensation)
Physical Characteristic	Housing: metal, IP30 protection Installation: wall mounting Dimension (W x H x D): 69mm×22mm×100mm Weight: 170g
Certification	CE, FCC, RoHS
Warranty	3 years

Ordering Information

Available Models	RS-232	RS-485/422	Power Supply
SW485GI	1	2	12~36VDC



Address: 3/B, Zone 1, Baiwangxin High Technology Industrial Park, Song Bai Road, Nanshan District, Shenzhen, 518108, China

TEL.: +86-755-26702668 ext 835 FAX: +86-755-26703485

E-mail: ics@3onedata.com

Website: www.3onedata.com

◀ [Please scan our QR code for more details](#)

*Product pictures and technical data in this datasheet are only for reference. Updates are subject to change without prior notice. The final interpretation right is reserved by 3onedata.