



G.SHDSL.bis TDM NTU

- SHDTU03b-E1 ▪ SHDTU03b-V35
- SHDTU03b-ET100 ▪ SHDTU03bA-31

CTC SHDTU03b series SHDSL NTU is a telecommunication product designed for carriers and SME users. This series of G.SHDSL.bis NTUs offers a variety of choices for data interfaces to meet different connection needs. The standalone G.SHDSL.bis modems feature E1, V35 and Ethernet interfaces, allowing connection to different DTE types. When equipped with multiple interfaces, the standalone SHDTU03b Series NTU combines user traffic over the SHDSL link. The SHDSL NTU supports two different connectors for G.703 E1 application that link to TDM service either by balanced 120 ohm RJ45 jack or unbalanced 75Ω dual BNCs with bit rates from 64kbps to 2.048Mbps. For Ethernet interface application, the SHDSL NTU supports 10/100Mbps auto-detected Fast Ethernet with a RJ45 connector, and provides customer premise with LAN to high-speed TDM services. The data rate of LAN interface is up to 2.304Mbps with one pair of copper wires. The SHDSL NTU can be configured and managed via EOC, or menu-driven VT100 compatible Asynchronous Terminal Interface, either locally or remotely. The G.SHDSL.bis NTU provides the capability that identifies the maximum line rate supported by the copper loop. This powerful automatic configuration capability makes installation and service provisioning simple and painless. Furthermore, it provides flexible manually setting of the maximum NTU speed at different levels for different customer-tailored service offerings.

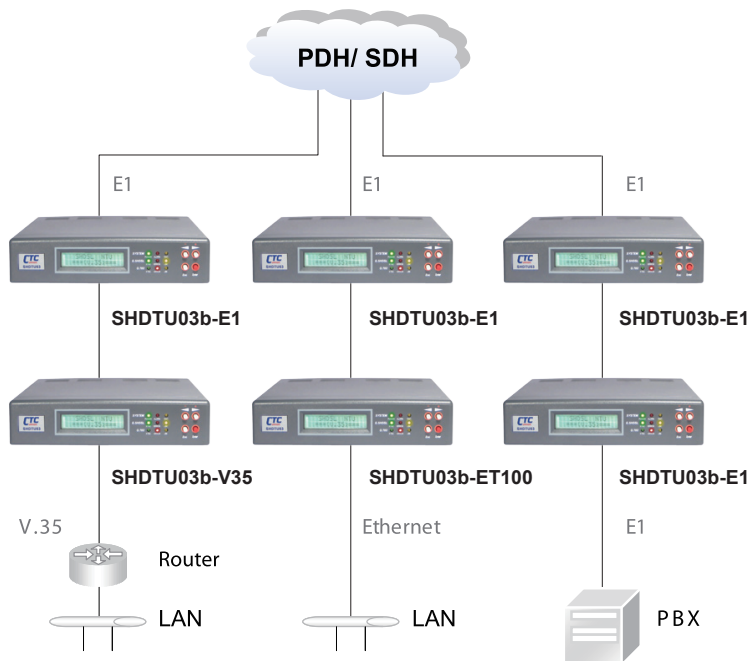
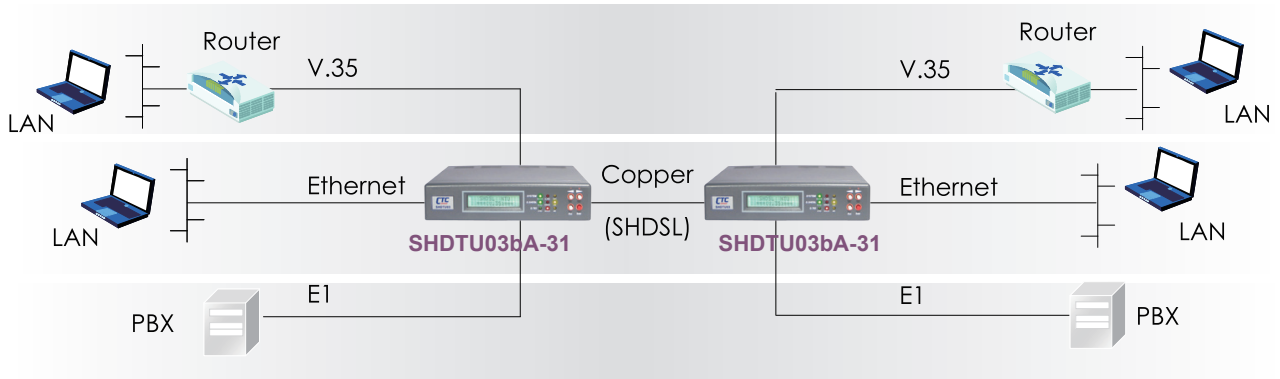
Feature

- Standard G.SHDSL (ITU G.991.2) supports improved reach/speed and greater interoperability
- Fast and cost-effective provisioning of traditional frame relay (FR or T-HDLC) or TDM leased line services
- Use existing copper loop infrastructures
- Operate in back to back connection
- Efficient single wire pair usage
- Up to 2.312Mbps symmetric service bit rate
- Auto rate installation maximizes data rate based on loop conditions
- Wetting current sink to protect SHDSL line (Optional)
- Local management interface with LCD display
- Remote line loopback
- SHDSL Line performance monitoring (Data Rate and SNR)
- Raw and per time interval statistics
- Bandwidth guaranteed transmission equipment
- Remote firmware upgrade

Specifications

WAN Interface	Line Rate: SHDSL per G.991.2 Coding: trellis coded pulse amplitude modulation (TCPAM-16) Support: Annex A(ANSI) and Annex B(ETSI) Payload rates: 64kbps to 2.304Mbps (N x 64kbps, N=1 to 36) Connection: RJ-45 jack Impedance: 135 ohms	Performance Monitoring	ES, SES, UAS, LOWS for SHDSL ES, SES, UAS for E1/T1 Alarms and Errors for SHDSL or interface
G.703 Interface (E1)	Connection: RJ-48C for balanced 120Ω E1 cable and BNC for unbalanced 75Ω E1 cable Line Rate : 2048KHz +/- 50ppm Line coding: HDB3/AMI Framing :PCM30/PCM30C/PCM31/PCM31C and Unframed Data Rate : 64Kbps to 2.048Mbps (Nx64Kbps , N=1 to 32) Operation : Full E1 and Fractional E1	Management	Configuration with keypads and LCD display Console port (RJ45, RS232C) Support firmware upgradeable SNMP management via Ethernet port(Optional)
Data Interface (V.35/RS-530 or V.36/X.21)	Connection:DB-25(F) Payload rates: Up to 2.304Mbps (N=1 to 36) Support V.35/RS-530 or V.36/X.21	Loopback Tests (for E1, T1 only)	Local Digital Loopback Local Loopback Remote Line Loopback Remote Payload Loopback Far-end Line Loopback Far-end Payload Loopback V.54 Loopback(For V.35 interface only) Build-in 2047 bit (2 11 -1) BER Tester
LAN Interface (Ethernet)	Single Ethernet Interface Payload rates: Up to 2.304Mbps (N=1 to 36) 10/100Mbps Half/Full Duplex, Auto-sensing, Auto-MDI/MDIX Up to 2048 MAC address learning, filtering Bridge	Regulatory	ISO 9001 Quality Management CE Approval & EN60950 Certificate
DSL Timing	Internal From E1/T1 Recovery (as E1/T1) From DTE (as V.35)	Physical / Electrical	Dimensions: 195 x 48 x 168 mm (D x W x H) AC Input: 90~240VAC with 50~60Hz DC Input: -36V~ -72V Power Consumption: 10W Max Operation temperature: 0 to 50°C Humidity: Up to 95% (non-condensing) External screw for frame grounding

Application



Ordering Information

2-wire / 4-wire G.SHDSL.bis TDM

Model Name	Description
SHDTU03b-E1-AD	E1 NTU, AC+DC Power (2-wire 5.7Mbps)
SHDTU03b-ET100-AD	Ethernet 10/100Base-TX Ethernet Bridge NTU, AC+DC Power (2-wire 5.7Mbps)
SHDTU03b-V35-AD	V35 TDM NTU, AC+DC Power w/V35 Cable (2-wire 5.7Mbps)
SHDTU03bA-31-AD	E1/V35/LAN multi-interface NTU with AC+DC Power (4-wire 11.4Mbps)

SHDTU03b - -
 Example: SHDTU03b - E1 - AD